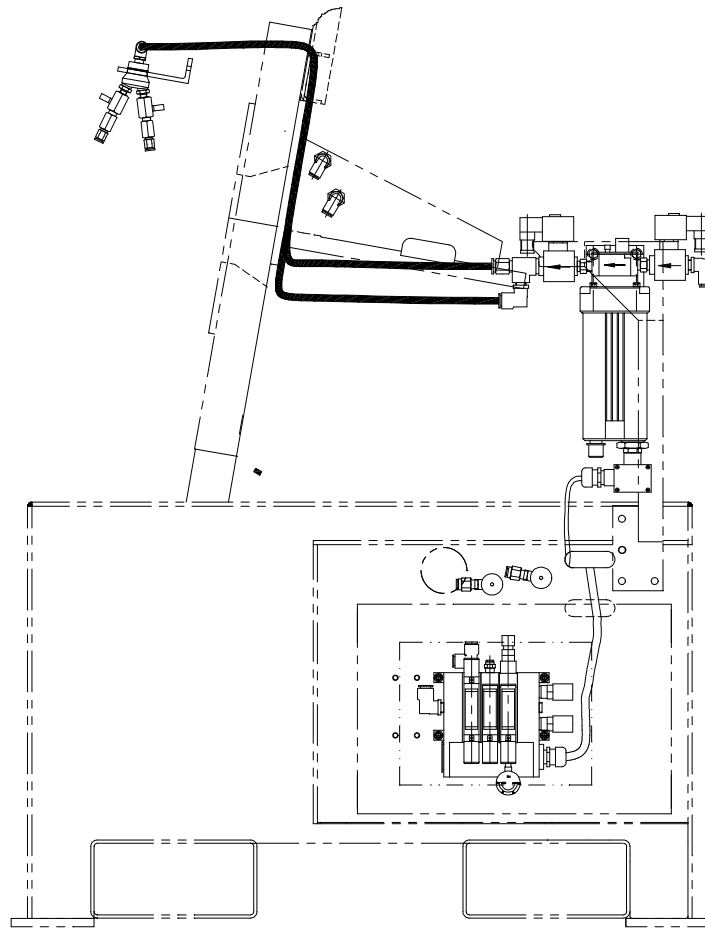
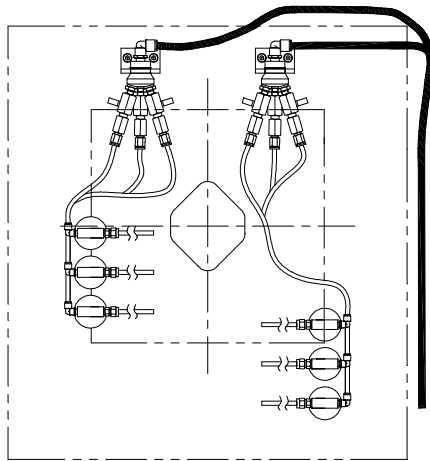


TECHMIRE

die casting solutions



TECHMIRE ONLY
LATEST MULTIPLE-SLIDE

FOR MODEL 22NT,24NTX,44NT,66NT,88NT,1212NTX

Mold Pressurized lubrication system upgrade – lubricator bowl under pressure 6 or 9 sprayer

- Consistent amount of pulverize mold lubrication at every signal.
- Very short spray time possible and as low as 20 milliseconds per pulse.
- Suitable for built-in lube lines, stripper plates or regular mold surfaces.
- Available with 1 or 5 liter reservoir.
- Added safety valve to stop flow under shut down situation.
- Level detection system included in order to prevent the machine from operating without lubricant.
- Comes standard with 6 outlet ports to a maximum up to 9 outlet ports.